

P26 Series - Pressure Management Valve

P26 series is a pressure management valve

1. P26M can switch two sets of pressure in six different time zones in one day. It helps to manage the pressure in different time zone when flow rate demand varies.
2. P26U can switch pressure based on high / low flow rate. The reading is from water meter with RS485.

FEATURES

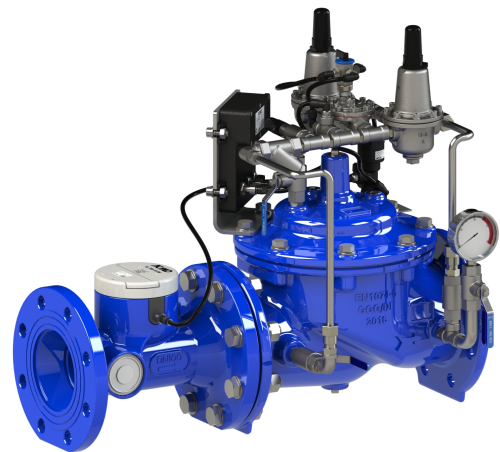
- 10 years life lithium battery
- A black control box and solenoid valve connected to the control tube system.
- Controller box can be set either by timing or flow rate thru remote controller
- IP68 for water resistance
- Comply with BS EN 1074-5, ISO 5208, BS EN 12266-1, BS EN 558-1
- P26M - 6 different time zone with 2 different pressure in one day. Each day is independent for setting.
- Both P26M & P26U types has a control box and solenoid valve on the main valve.
- P26U- has 2 flow rate setting value (lower and higher level), to switch between the 2 different setting pressure
- P26U- same main valve as P26M. The purchaser can combine either an ultrasonic or magnetic meter which can provide a RS485 signal connected to the control box
- Single remote controller can be fitted for multiple valves setting use, no matter numbers of valves

Technical Data:

Size Range: DN50~DN800mm
Pressure Ratings: 1.0Mpa; 1.6Mpa; 2.5Mpa
Working Temperature:-10°C- 80°C Suitable
Media: Water
End connection: PN 10 / PN 16 / PN 25
Consult Factory for other applications



P26M:Time Based

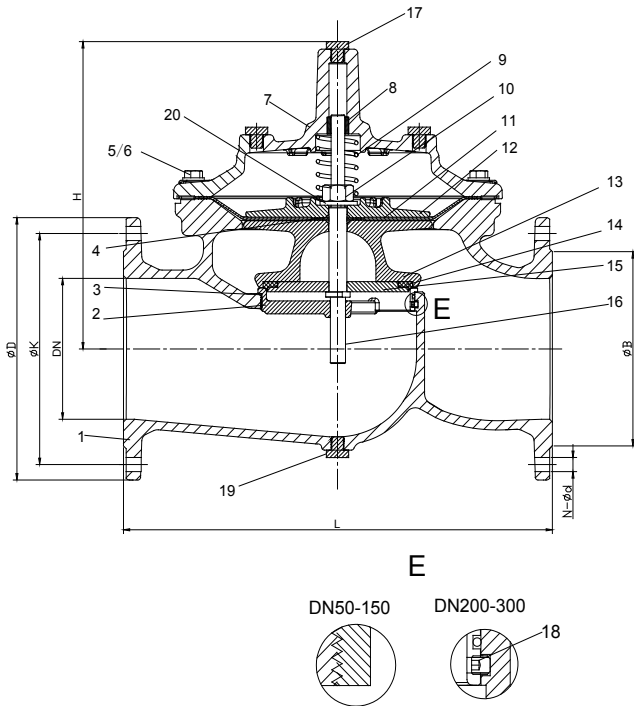


P26U:Flow Rate Based



Remote Controller

A900-Main Valve DN50-DN350



Parts List

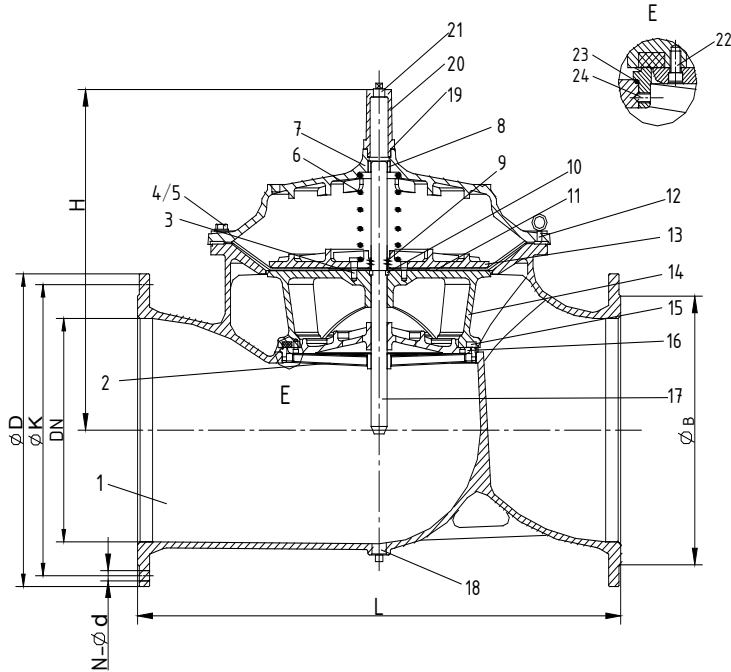
No.	Description	Material	Standard
1	Body	Ductlie Iron	GJS 500-7
2	Seat	Stainless Steel	AISI 304/316
3	O-ring	Rubber	NBR
4	O-ring	Rubber	NBR
5	Bolt	Stainless Steel	A2/A4
6	Washer	Stainless Steel	A2/A4
7	Bonnet	Ductlie Iron	GJS 500-7
8	Bush	Bronze	C61900
9	Spring	Stainless Steel	AISI 304/316
10	Caulking Nut	Stainless Steel	A4
11	Diaphragm	Nylon Reinforced Rubber	EPDM +Nylon Fabric
12	Fixing holder	Ductlie Iron	GJS 500-7
13	Disc Holder	Ductlie Iron	GJS 500-7
14	Seal	Rubber	EPDM
15	Seat Retainer	Stainless Steel	AISI 304/316
16	Stem	Stainless Steel	AISI 304/316
17	Plug	Stainless Steel	AISI 304/316
18	Screw	Stainless Steel	A2/A4
19	Plug	Stainless Steel	A2/A4
20	Washer	Stainless Steel	A2/A4

Dimension:

DN	Model Code	L	ØD			ØK			H	N-Ød			ØB		
			PN10	PN16	PN25	PN10	PN16	PN25		PN10	PN16	PN25	PN10	PN16	PN25
50	A900-0050	230	165	165	165	125	125	125	177	4-Ø19	4-Ø19	4-Ø19	Ø99	Ø99	Ø99
65	A900-0065	290	185	185	185	145	145	145	202	4-Ø19	4-Ø19	8-Ø19	Ø118	Ø118	Ø118
80	A900-0080	310	200	200	200	160	160	160	219	8-Ø19	8-Ø19	8-Ø19	Ø132	Ø132	Ø132
100	A900-0100	350	220	220	235	180	180	190	243	8-Ø19	8-Ø19	8-Ø23	Ø156	Ø156	Ø156
*125	A900-0125	400	250	250	270	210	210	220	243	8-Ø19	8-Ø19	8-Ø28	Ø156	Ø156	Ø156
150	A900-0150	480	285	285	300	240	240	250	333	8-Ø23	8-Ø23	8-Ø28	Ø211	Ø211	Ø211
200	A900-0200	600	340	340	360	295	295	310	428	8-Ø23	12-Ø23	12-Ø28	Ø266	Ø266	Ø274
250	A900-0250	730	405	405	425	350	355	370	478	12-Ø23	12-Ø28	12-Ø31	Ø319	Ø319	Ø330
300	A900-0300	850	460	460	485	400	410	430	538	12-Ø23	12-Ø28	16-Ø31	Ø370	Ø370	Ø389
*350	A900-0350	980	520	520	555	460	470	490	550	16-Ø23	16-Ø28	16-Ø34	Ø429	Ø429	Ø448

NOTE: 1. *DN125/350 use same internal as DN100/300
2. AISI 304 factory standard material. consult factory for AISI 316 material.

A900-Main Valve DN400-DN800



Parts List

No.	Description	Material	Standard
1	Body	Ductile Iron	GJS 500-7
2	Seat	Stainless Steel	AISI 304/316
3	Screw	Stainless Steel	A2/A4
4	Screw	Stainless Steel	A2/A4
5	Screw	Stainless Steel	A2/A4
6	Spring	Stainless Steel	AISI 304/316
7	Bonnet	Ductile Iron	GJS 500-7
8	Bush	Bronze	C61900
9	O-ring	Rubber	NBR
10	Fix Washer	Bronze	C61900
11	Diaphragm	Nylon Reinforced Rubber	EPDM +Nylon Fabric
12	Eye Bolts	Carbon Steel	1040
13	Fixing Holder	Ductile Iron	GJS 500-7
14	Disc Holder	Ductile Iron	GJS 500-7
15	Seal	Rubber	EPDM
16	Seal Retainer	Ductile Iron	GJS 500-7
17	Stem	Stainless Steel	AISI 304/316
18	Plug	Stainless Steel	AISI 304/316
19	O-ring	Rubber	NBR
20	Cap	Ductile Iron	GJS 500-7
21	Plug	Stainless Steel	AISI 304/316
22	Screw	Stainless Steel	A2/A4
23	O-ring	Rubber	NBR
24	Screw	Stainless Steel	A2/A4

Dimension:

Unit: mm

DN	Model Code	L	H	ØD			ØK			N-Ød			ØB		
				PN10	PN16	PN25	PN10	PN16	PN25	PN10	PN16	PN25	PN10	PN16	PN25
400	A900-0400	1100	710	580	580	620	515	525	550	16-Ø28	16-Ø31	16-Ø37	480	480	503
*450	A900-0450	1200	720	640	640	670	565	585	600	20-Ø28	20-Ø31	20-Ø37	530	548	548
500	A900-0500	1250	822	715	715	730	620	650	660	20-Ø28	20-Ø34	20-Ø37	582	609	609
600	A900-0600	1450	885	840	840	845	725	770	770	20-Ø31	20-Ø37	20-Ø40	682	720	720
*700	A900-0700	1650	910	910	910	960	840	840	875	24-Ø31	24-Ø37	24-Ø43	682	720	720
800	A900-0800	1850	1260	1025	1025	1085	950	950	990	24-Ø34	24-Ø40	24-Ø49	901	901	928

Note: 1. *DN450/700 use same internal as DN400/600.

2. AISI 304 factory standard material. consult factory for AISI 316 material.

Pressure management advantage

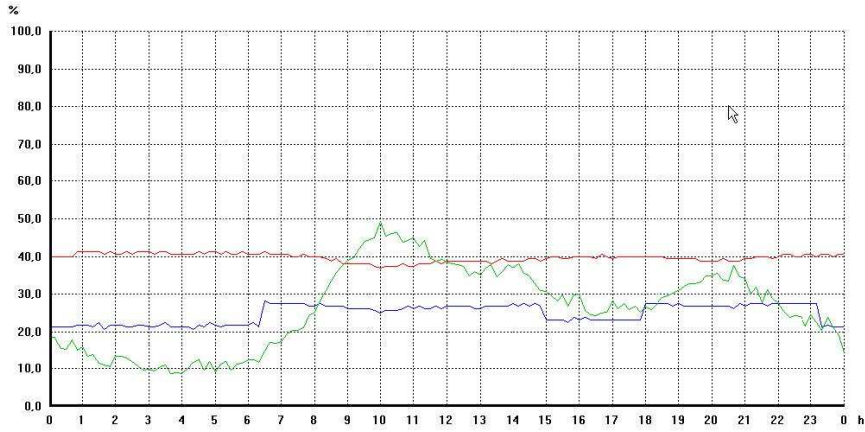
Lower down the pressure based on time or flow rate are allowable to management the water distribution system

It helps to reduce the leakage rate in distribution system.

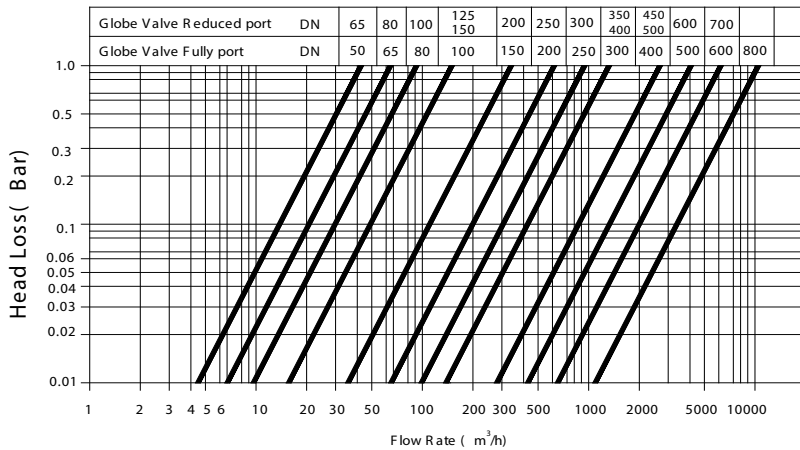
-  Upstream pressure
-  Flow rate – user demand
-  Downstream pressure

CONFRONTO DI MISURE NON OMOGENEE DEL GIORNO dom 16/10/2011

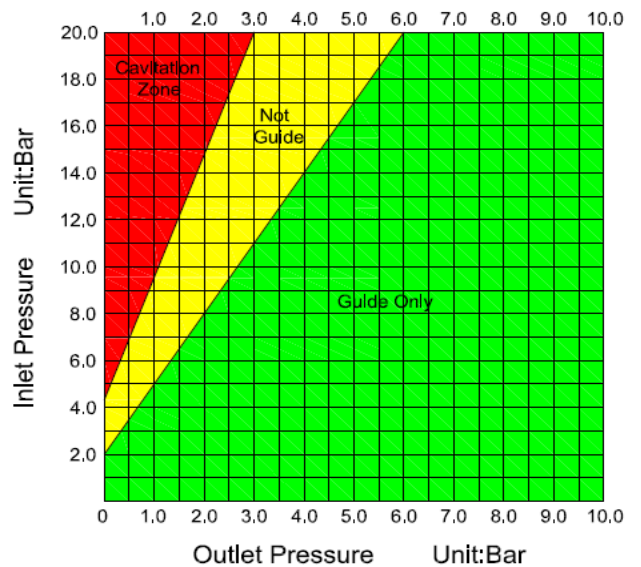
KP047M003 : PUNTO INNESTO RETE
 PRESS.MONTE INNESTO RETE RANGE : 0.00 10.00 bar
 KP047M002 : PUNTO INNESTO RETE
 PRESS.VALLE INNESTO RETE RANGE : 0.00 10.00 bar
 KP002M071 : VIA CONTE VERDE
 PORTATA USC. VIAT. V.CONTE VERDE RANGE : 0 200 l/s



Head Loss Curve



Cavitation



Ordering Code

P26M-0200-16-YYY

Model:

P26M:
Pressure management valve -
Time based

P26U:

Pressure management valve -
Flow rate based

YYY: Special Code
Please Consult Factory

Pressure Rating:

10: PN10
16: PN16
25: PN25
A1: ANSI 125 F/F
A5: ANSI 150 R/F

Size:

0080: 80 mm
0200: 200 mm

Distributor:



Tel : 86 512 6673 2918 | Fax: 86 512 6673 2928

E-mail: exsales@alpinefc.com.cn

site: www.alpinefc.com.cn

Alpine Flow Control (Suzhou) Co.,Ltd

Add: B5 ChaoYang Factory, Caohu Industrial Park,

Xiangcheng Economic Development Zone,

Suzhou, Jiangsu Province, China, ZIP: 215131

