

# WB-Wafer Butterfly Valve

## Features:

- . Pinless design for better operation without components loose and leakage during operation.
- . EPDM/NBR rubber on valve body ensures fully corrosion resistance.
- . Special notch plate provides long term services and corrosion resistance.
- . Body is coated with epoxy resin for corrosion resistance to maximize service life.
- . Butterfly valves standard with a hard back seat. No movement of the seat which results in a constant torque, and:
  - Dimensionally stable seat sealing surface
  - Minimal seat wear, extending seat life
  - Blow-out proof seat
  - Easily field replaceable
  - One-piece phonetic backing seat has integral O-ring seal for upper and lower valve shafts. Work with disc edge hub to provide a double stem seal.
- . Top flange meets ISO 5211.
- . Rigid design steel lever and with stainless steel pin and spring parts provides much better corrosion resistance and long service life.
- . Bi-directional tight shut off closure.
- . PTFE bushings on the upper shaft ensure stronger positioning function during operation.
- . Meets ISO 5752/DIN 3202/EN 593/BS 5155/API609

## Service Fields:

General water supply, HVAC, water treatment, fire fighting, chemical system, and industry, etc.

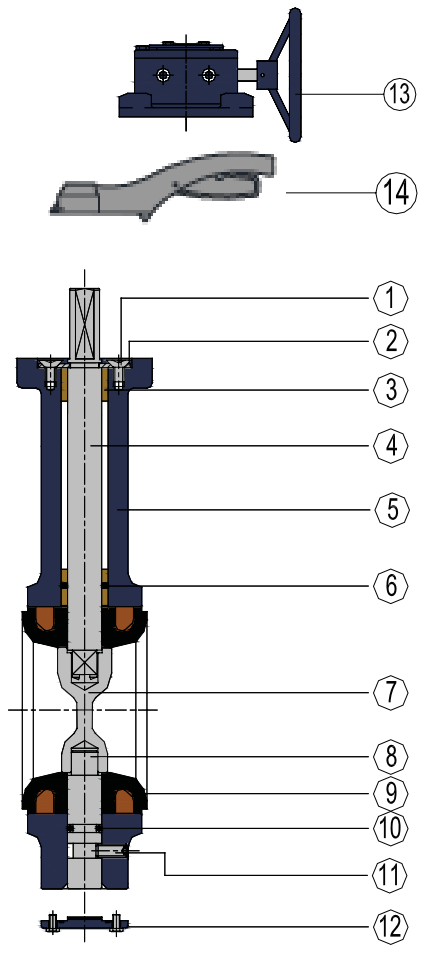
**W**B is a resilient seated butterfly valve, with an EPDM/NBR rubber seat on valve body. The rubber sealing provides both sides bubble tight shut off and the pinless design provides stronger and fixed connections between shaft and disc that ensure the stem stays firm during operation.



## Technical Data:

Size range: DN50-600mm  
Pressure rating: 1.0Mpa; 1.6Mpa.  
Temperature: -10°C~120°C

# WB-Wafer Butterfly Valve



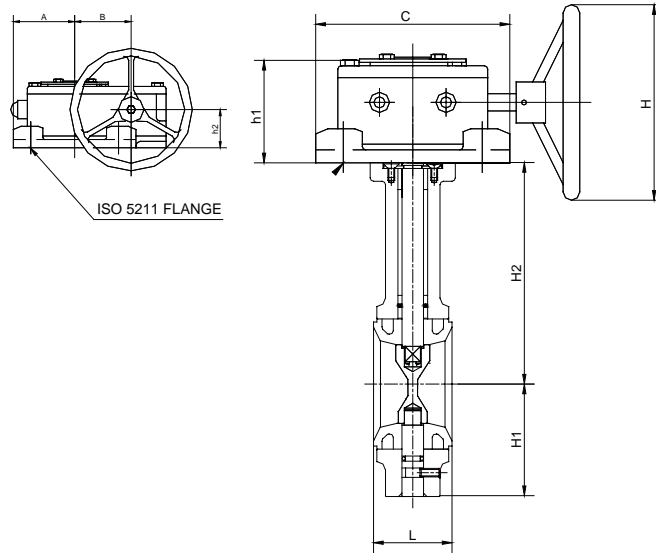
## Parts List

No.	Part Name	Material	Standard
1	Bolts	Stainless Steel	AISI 410
2	Retaining Plate	Stainless Steel	AISI 410
3	Bushing	Plastic+Aluminum Bronze	Teflon+AL/CA103
4	Upper Shaft	Stainless Steel	AISI 410/304/316
5	Body	DI	GGG40
6	O-Ring	Rubber	NBR/EPDM
7	Disc	DI/ Stainless Steel/ Aluminum Bronze	GGG40+Nickel Plated/CF8,CF8M/ C95400 AB1
8	Bottom Shaft	Stainless Steel	AISI 410/304/306
9	Replaceable Seat	Rubber	NBR/EPDM
10	O-Ring	Rubber	NBR/EPDM
11	Bolts	Stainless Steel	Commercial
*12	Buttom Cover	DI	GGG40
13	Worm Gear Head	CI	GGG25
14	Lever	CS	Commercial

\* Only for DN400 and above

Hydraulic Test:  
 Test Standard: BS/ISO/GB  
 Seat : 1.1 X PN  
 Body : 1.5 X PN

# WB-Wafer Butterfly Valve



## Dimension

Unit: mm

DN	L	H1	H2	S	Top Flange	A	B	C	h1	h2	H
50	43	66	130	9/11	F05	45	43	80	48	22	100
65	46	82	141	9/11	F05	45	43	80	48	22	100
80	46	90	148	9/11	F05	45	43	80	48	22	100
100	52	108	170	11	F07	45	43	80	48	22	100
125	56	123	187	14	F07	54	45	105	55	28	120
150	56	138	202	14	F07	54	45	105	55	28	120
200	60	170	238	17	F10	57	53	118	69	36	200
250	68	200	272	22	F10	57	53	118	69	36	200
300	78	236	305	22	F10	57	53	118	69	36	200
350	78	266	368	22	F10	76	66	152	78	42	300
400	102	301	400	33*	F14	100	89	200	87	50	300
450	114	317	422	37*	F14	100	89	200	87	50	300
500	127	361	480	39*	F16	118	123	252	91	50	400
600	154	459	562	48*	F16	145	153	315	100	50	400

\* Referring the Max. diameter of shafts.

Distributor:



Tel: 8651266732918 | Fax: 8651266732928

E-mail: [exsales@alpinefc.com.cn](mailto:exsales@alpinefc.com.cn)

site: [www.alpinefc.com.cn](http://www.alpinefc.com.cn)

Alpine Flow Control (Suzhou) Co.,Ltd  
 Add: B5ChaoYangFactory, Caohu Industrial Park,  
 Xiangcheng Economic Development Zone,  
 Suzhou, Jiangsu Province, China, ZIP: 215131



# Order Coding

**WB L X-0100-16-XXX**

Model:  
WB: Wafer Butterfly Valve

Operator:  
L: Lever Operator  
G: Worm Gear Operator  
B: Bare Valve  
E: Electrical Operator

Type:  
X: Standard Series  
S: Fire Fighting W/ Signal

Special Code:  
Please consult factory

End Connection:  
10: PN 10  
16: PN 16  
1K: JIS 10K

Valve Size:  
0080: 80 mm  
0200: 200 mm

Distributor:



Tel: 86512 6673 2918 | Fax: 86512 6673 2928

E-mail: [exsales@alpinefc.com.cn](mailto:exsales@alpinefc.com.cn)

site: [www.alpinefc.com.cn](http://www.alpinefc.com.cn)

Alpine Flow Control (Suzhou) Co.,Ltd

Add: B5ChaoYangFactory, Caohu Industrial Park,

Xiangcheng Economic Development Zone,

Suzhou, Jiangsu Province, China, ZIP: 215131

