

## KARX-Combination Kinetic Air Release Valve

**K**ARX- Combination kinetic air release valve provide 3 functions: 1.Large air release during filling of the pipeline. 2.Small air release under pressurized pipeline. 3.Large air intake during draining of the pipeline.

### Features:

- . Advanced design with simple mechanism, strong float to prevent cracking during sudden water hammer& quick closure.
- . Aerokinetic mechanism to resist blow shut under higher air velocity even up to sonic velocity of air.
- . No arms or levers to prevent vibrating, bending, direct closure of the float.
- . Smooth cage outside of the float, keep float moving in specified guide rail.
- . Bottom rubber buffer for collision prevention, and drain easy with proper holes around the cage during vacuum.
- . Outside screen will be an option for safety and prevent insects or birds in.
- . Fully fusion epoxy coated inside and outside of valve body for long term services.
- . Manufacturing standard meets AWWA C512
- . Flange drilling and dimension meets ANSI flange.



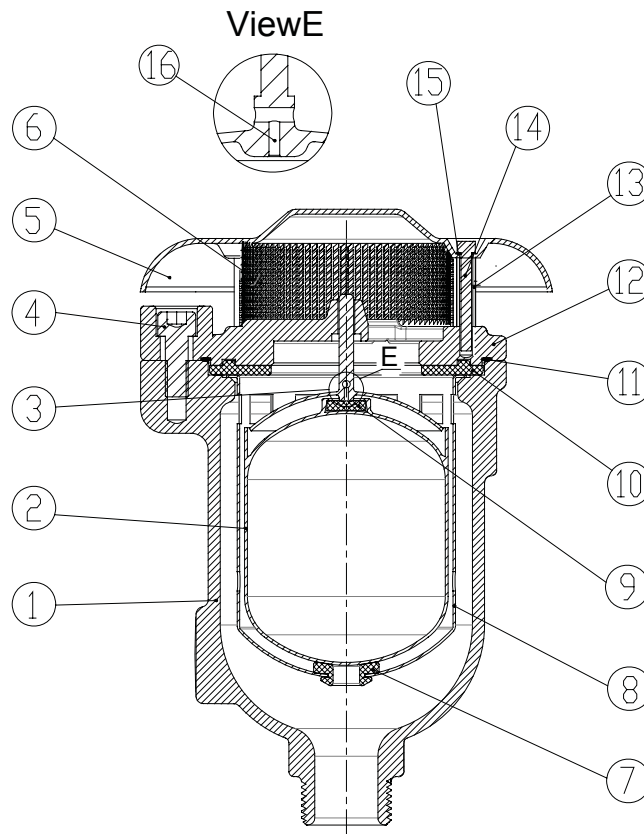
### Service Fields:

For water system, fire fighting, irrigation system.

### Technical Data:

Size range: 1"-12"  
Pressure ratings:200WP, 300WP.  
Working temperature: -10°-80°C.  
Flow media: clean water  
End Connection:ANSI 125LB.

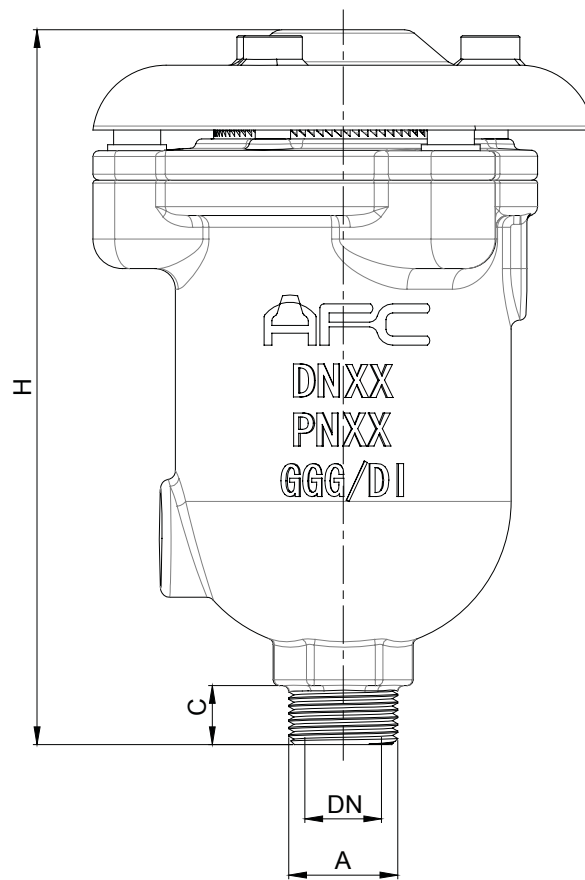
## Main Valve-1"-2"



### Parts List

No.	Part Name	Material	Standard
1	Body	Ductile Iron	ASTM A536
2	Float	Stainless Steel	AISI 304/AISI 316
3	Sealing Arc	Stainless Steel	AISI 304/AISI 316
4	Hex Bolt	Carbon Steel/ Stainless Steel	Zinc Coated/AISI 304/ AISI 316
5	Cover	Carbon Steel	Epoxy Coated
6	Screen	Stainless Steel	AISI 304/AISI 316
7	Buffer	Rubber	NBR/EPDM
8	Guide Barrel	Stainless Steel	AISI 304/AISI 316
9	Nozzle Seat	Rubber	NBR/EPDM
10	Seat	Rubber	NBR/EPDM
11	O-ring	Rubber	NBR/EPDM
12	Bonnet	Ductile Iron	ASTM A536
13	Pillar	Aluminium	Commercial
14	Hex Bolt	Carbon Steel/ Stainless Steel	Zinc Coated/AISI 304/ AISI 316
15	Washer	Stainless Steel	AISI 304/AISI 316
16	Small Nozzle	Stainless Steel	AISI 304/AISI 316

## Dimension

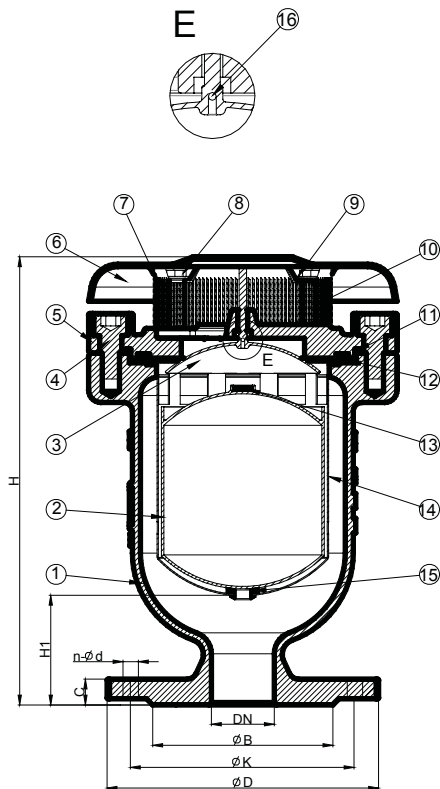


Unit: INCH

DN	Model No.	ØA	C	H
1"	KARS-0025-NP	G 1"	3/4	10
1 1/4"	KARS-0032-NP	G1 1/4"	3/4	10
1 1/2"	KARS-0040-NP	G1 1/2"	3/4	10
2"	KARS-0050-NP	G 2"	3/4	10

Remarks: NP-- National Pipe Thread.

## Main Valve-2"-12"



## Parts List

No.	Part Name	Material	Standard
1	Body	Ductile Iron	ASTM A536
2	Float	Stainless Steel	AISI 304/ AISI 316
3	Sealing Arc	Stainless Steel	AISI 304/ AISI 316
4	In Hex Bolt	Carbon Steen/ Stainless Steel	G. I/AISI 304/ AISI 316
5	Bonnet	Ductile Iron	ASTM A536
6	Cover	Carbon Steel	AISI 304/ AISI 316
7	Screen	Stainless Steel	AISI 304/ AISI 316
8	Hex Bolt	Carbon Steen/ Stainless Steel	G. I/ AISI 304/ AISI 316
9	Washer	Stainless Steel	AISI 304/ AISI 316
*10	Pillar	Aluminum	Commercial
11	O-ring	Rubber	NBR/EPDM
12	Seat	Rubber	NBR/EPDM
13	Nozzle Seat	Rubber	NBR/EPDM
14	Guide Barrel	Stainless Steel	AISI 304/ AISI 316
15	Buffer	Rubber	NBR/EPDM

\*: For Size ≤ 6".

## Dimension

Unit: Inch

DN	Model No.	ØD		H	N-Ød	
		CL 125/150	CL 125/150		CL 125/150	CL 125/150
2"	KARX-0050	6	4 3/4	11	4	3/4
3"	KARX-0080	7 1/2	6	14 1/2	4	3/4
4"	KARX-0100	9	7 1/2	15 1/2	8	3/4
6"	KARX-0150	11	9 1/2	19	8	7/8
8"	KARX-0200	13 1/2	11 3/4	22 1/2	8	7/8
*10"	KARX-0250	16	14 1/4	26	12	1
12"	KARX-0300	19	17	29 1/2	12	1

\* Please consult factory.

Distributor:

**AFC**®

Tel: 86512 6673 2918 | Fax: 86512 6673 2928

E-mail: [exsales@alpinefc.com.cn](mailto:exsales@alpinefc.com.cn)

site: [www.alpinefc.com.cn](http://www.alpinefc.com.cn)

Alpine Flow Control (Suzhou) Co.,Ltd

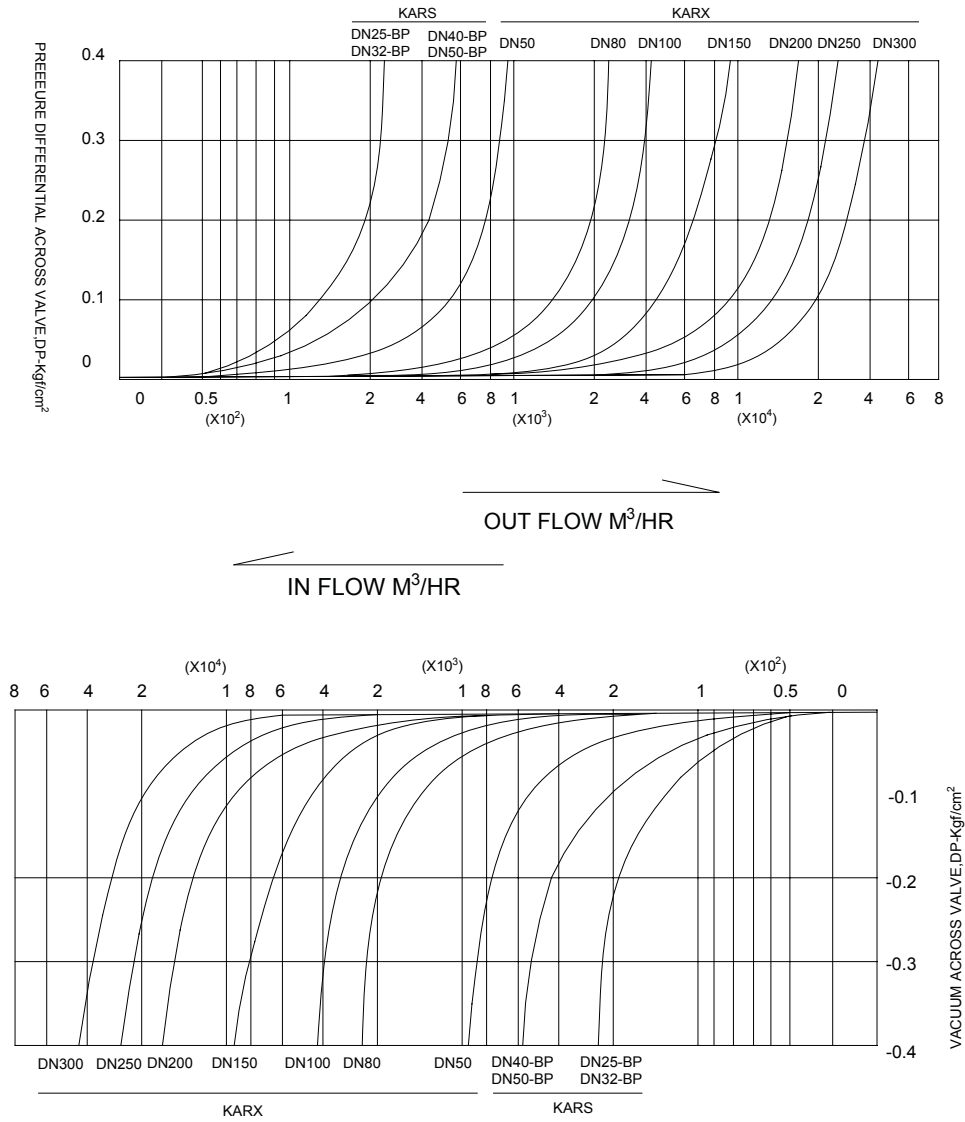
Add: B5ChaoYangFactory, Caohu Industrial Park,

Xiangcheng Economic Development Zone,

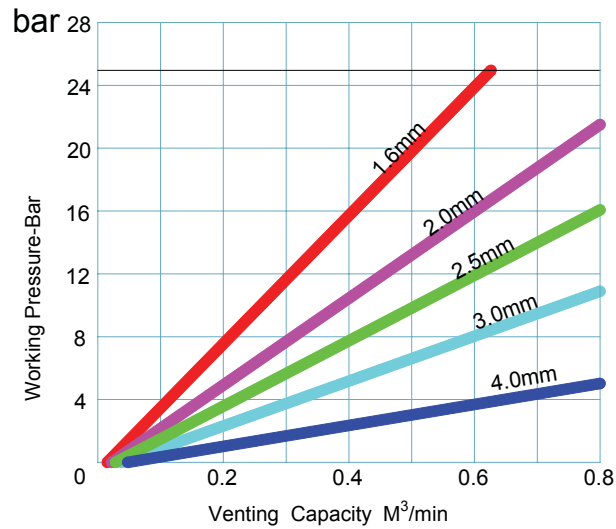
Suzhou, Jiangsu Province, China, ZIP: 215131



# Flow Performance



## Air release during working conditions



## KARX-Quick Selection Table

Water flow rate range Max.CMH (M <sup>3</sup> /Hour)	760	1,360	4,160	8,500	19,100	33,400	76,300
Main pipe size MM	80-300	200-400	400-700	750-1000	1050-1500	1500-2000	2100-3000
Inlet size of KARX INCH	1" */11/4" */ 11/2" */2" *	2"	3"	4"	6"	8"	12"
bore of outlet MM	50	75	95	130	170	230	330
small orifice size MM	1.6	1.6	2	2.5	3	4	4

\*These are pipe thread Combination Air Release Valve-KARS, which can be up to Max. WP PN16 .

Those flange type from 2"-12" can be up to Max. WP PN 25.

## Ordering Code

### KAR X - 0200 - 16

Model:  
KAR- kinetic air valve, with 3 functions  
KAV-Kinetic air/vacuum valve, with 2 functions,  
for large air exhaust and intake

Connection:  
X: Flange Type.  
S: Screw Type-Thread.

