

# FM/UL-Resilient Seated Gate Valves & Indicator Post



**F**ire fighting Resilient seated gate valve with a soft seal disc which is fully encapsulated with rubber. The valve is designed with new technology for light operating, no clogging and no corrosion, good resilient memory & long service life. It can be used extensively in all kinds of water supply & sewage, fire-fighting and function as a shut-off or regulation valve.

## Features:

- Newly advanced design, less operation torque & abrasion resistance.
- Body & Cover are made of high grade Ductile Iron.
- Forged stem provides stronger stem operation and less moving parts.
- Disc is covered by high-grade rubber, which complies with drinking water.
- High-tech rubber curing with precise geometry dimensions, more resilient & strong adhesive to ductile casting.
- The O-ring stem seals are designed to prevent stem leakage and provide replacement of the O-ring without disassembling of valve from mainline pipes.
- Both inside & outside are coated with epoxy resin powder.



## Field Services:

Fire fighting system.

## Technical Data:

Size Range: DN50~DN300mm(2"-12")

Working Pressure: 250/300 PSI

Working Temperature:-10°C- 80°C

Flow Media: Water

Flange Ends Connection: AISI B16.1 and PN16

Grooved Ends Connection: AWWA C606

Distributor:

**AFC**®

Tel: 86512 6673 2918 | Fax: 86512 6673 2928

E-mail: [exsales@alpinefc.com.cn](mailto:exsales@alpinefc.com.cn)

site: [www.alpinefc.com.cn](http://www.alpinefc.com.cn)

Alpine Flow Control (Suzhou) Co.,Ltd

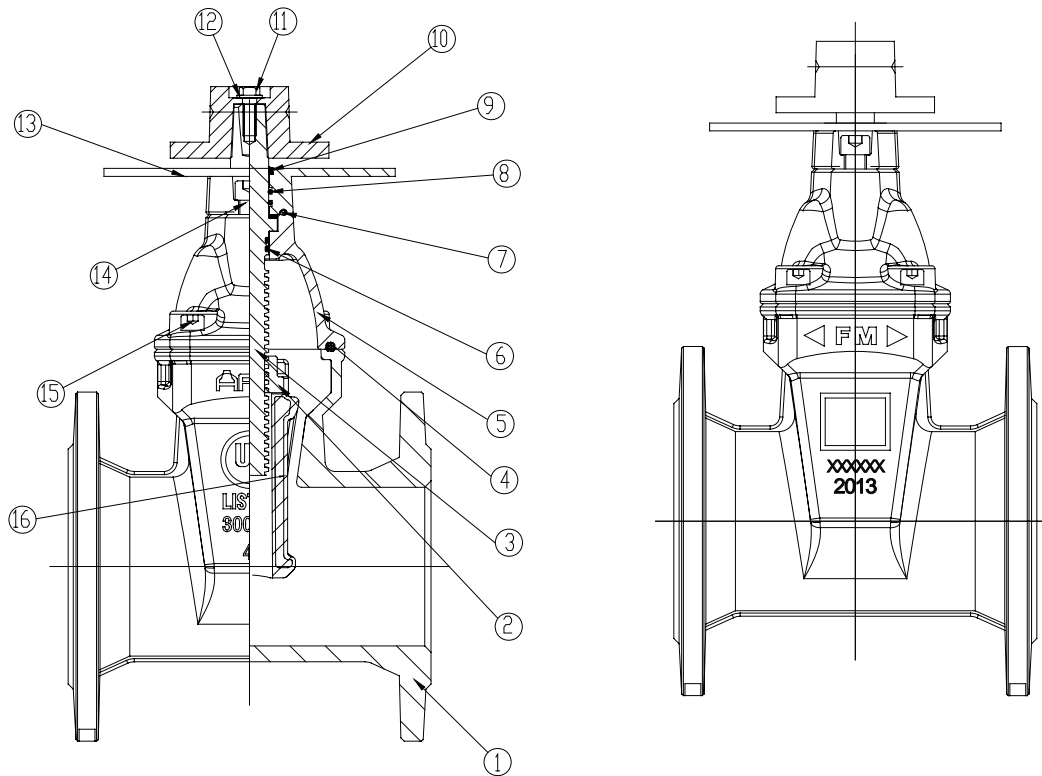
Add: B5ChaoYangFactory, Caohu Industrial Park,

Xiangcheng Economic Development Zone,

Suzhou, Jiangsu Province, China, ZIP: 215131



# NRS Resilient Seated Gate Valves-Fire Fighting-FM/UL



## Parts List:

No	Part Name	Material	Standard
1	Body	Ductile Iron	EN GJS 500-7
*2	Wedge Nut	Brass/Bronze	CZ122/CA103
3	Stem	Stainless Steel	AISI 420
4	Bonnet Gasket	Rubber	EPDM
5	Bonnet	Ductile Iron	EN GJS 500-7
6	O-ring	Rubber	EPDM
7	O-ring	Rubber	EPDM
8	O-ring	Rubber	EPDM
9	Dust Wiper	Rubber	EPDM
10	Cap	Ductile Iron	EN GJS 500-7
11	Bolt	Carbon Steel	Commercial
12	Washer	Carbon Steel	Commercial
13	Top Flange	Ductile Iron	EN GJS 500-7
14	In Hex Bolt	Carbon Steel	Commercial
15	In Hex Bolt	Carbon Steel	Commercial
16	Wedge	Ductile Iron+Rubber	EN GJS 500-7+ EPDM

\* DN250&DN300 use bronze.

Distributor:



Tel: 8651266732918 | Fax: 8651266732928

E-mail: [exsales@alpinefc.com.cn](mailto:exsales@alpinefc.com.cn)

site: [www.alpinefc.com.cn](http://www.alpinefc.com.cn)

Alpine Flow Control (Suzhou) Co.,Ltd

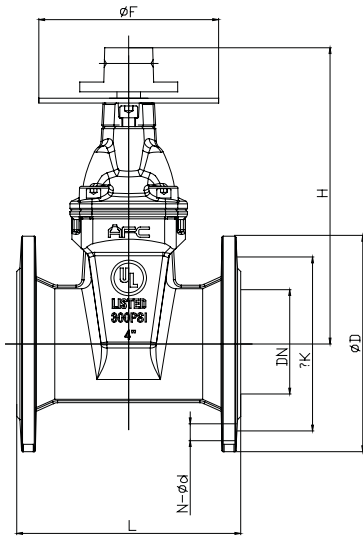
Add: B5ChaoYangFactory, Caohu Industrial Park,

Xiangcheng Economic Development Zone,

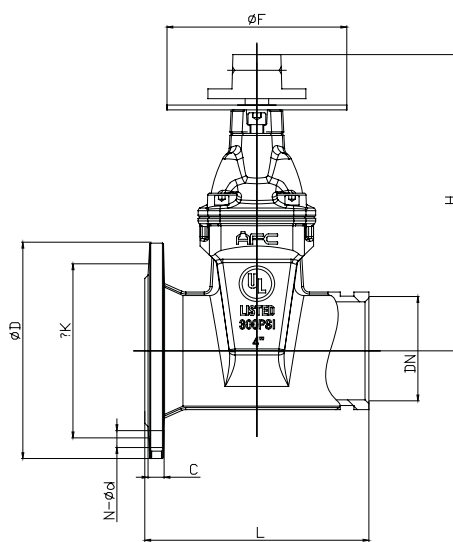
Suzhou, Jiangsu Province, China, ZIP: 215131



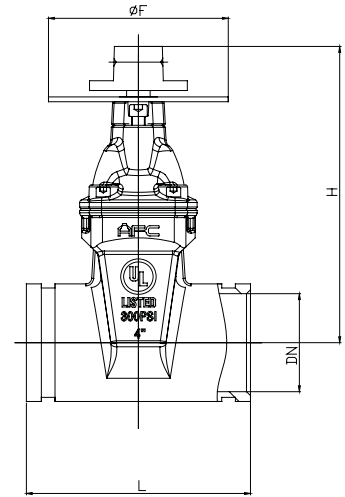
# NRS Resilient Seated Gate Valves-Fire Fighting-FM/UL



FNCF



FNCX



FNCG

## Dimension

Size		Model No	L	ØD		ØK		n-Ød		H	ØF
IN	mm	FNC (F/G/X)	mm	PN16	ANSI	PN16	ANSI	PN16	ANSI	mm	mm
2 1/2	65	FNCF-0065	190	185	178	145	140	4-Ø19	4-Ø19	253	305
3	80	FNCF-0080	203	200	191	160	152	8-Ø19	4-Ø19	288	305
4	100	FNCF-0100	229	220	229	180	191	8-Ø19	8-Ø19	321	305
5	125	FNCF-0125	254	250	--	210	--	8-Ø19	8-Ø23	372	305
6	150	FNCF-0150	267	285	279	240	241	8-Ø23	8-Ø23	409	305
8	200	FNCF-0200	292	340	343	295	298	12-Ø23	8-Ø23	505	305
10	250	FNCF-0250	330	400	406	355	362	12-Ø28	12-Ø26	580	305
12	300	FNCF-0300	356	455	483	410	432	12-Ø28	12-Ø26	658	305

Distributor:



Tel: 8651266732918 | Fax: 8651266732928

E-mail: exsales@alpinefc.com.cn

site: www.alpinefc.com.cn

Alpine Flow Control (Suzhou) Co.,Ltd

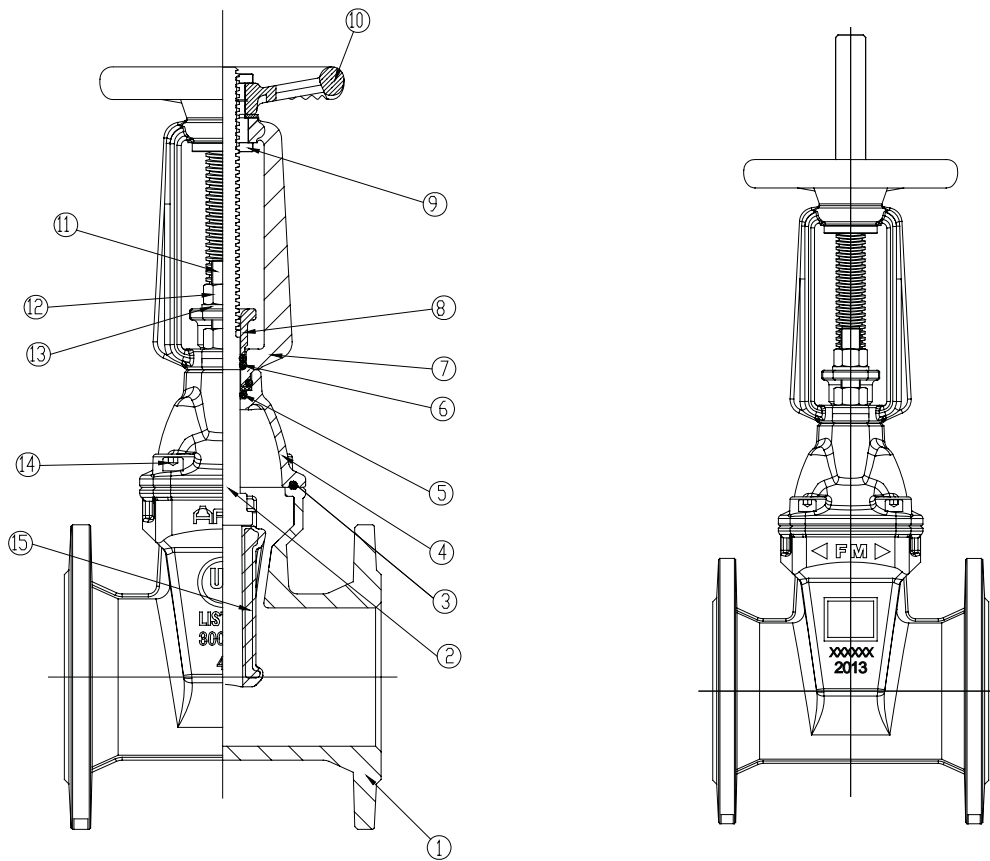
Add: B5ChaoYangFactory, Caohu Industrial Park,

Xiangcheng Economic Development Zone,

Suzhou, Jiangsu Province, China, ZIP: 215131



# RS Resilient Seated Gate Valves-Fire Fighting-FM/UL



## Parts List:

No	Part Names	Material	Standard
1	Body	Ductile Iron	EN GJS 500-7
2	Stem	Stainless Steel	AIS1 420
3	Bonnet Gasket	Rubber	EPDM
4	Bonnet	Ductile Iron	EN GJS 500-7
5	O-ring	Rubber	EPDM
6	O-ring	Rubber	EPDM
7	Yoke	Ductile Iron	EN GJS 500-7
8	Gland	Ductile Iron	EN GJS 500-7
*9	Thrust Nut	Brass/Bronze	CZ122/CA103
10	Handwheel	Carbon Steel	Commercial
11	Thread Bar	Carbon Steel	Commercial
12	Nut	Carbon Steel	Commercial
13	Washer	Carbon Steel	Commercial
14	In Hex Bolt	Carbon Steel	Commercial
15	Wedge	Ductile Iron+Rubber	EN GJS 500-7+EPDM

\* DN250&DN300 use bronze.

Distributor:



Tel: 8651266732918 | Fax: 8651266732928

E-mail: [exsales@alpinefc.com.cn](mailto:exsales@alpinefc.com.cn)

site: [www.alpinefc.com.cn](http://www.alpinefc.com.cn)

Alpine Flow Control (Suzhou) Co.,Ltd

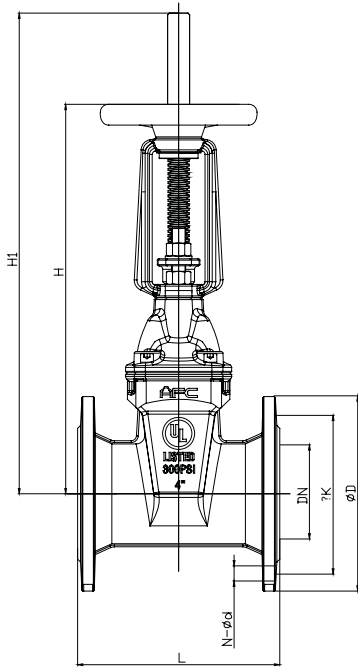
Add: B5ChaoYangFactory, Caohu Industrial Park,

Xiangcheng Economic Development Zone,

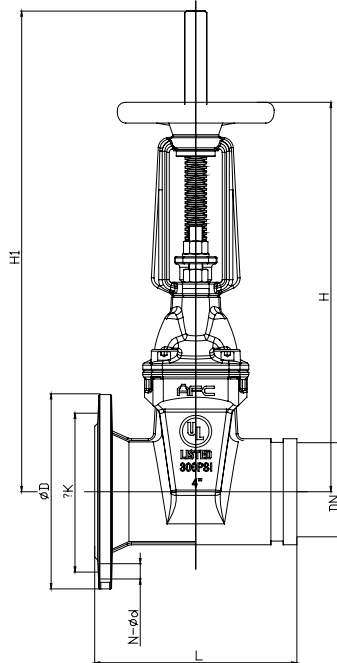
Suzhou, Jiangsu Province, China, ZIP: 215131



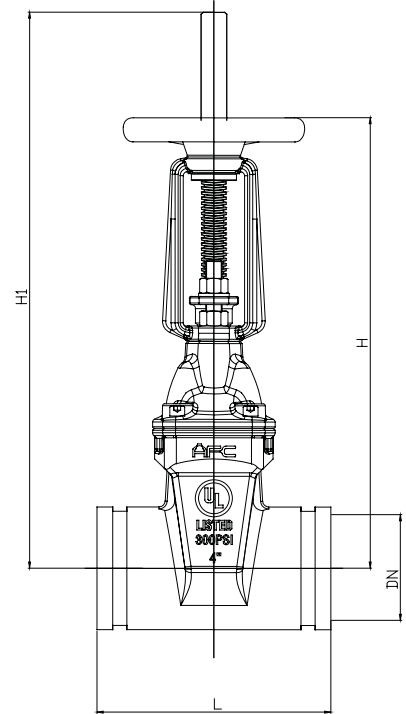
# RS Resilient Seated Gate Valves-Fire Fighting-FM/UL



FRHF



FRHX



FRHG

## Dimension

Size		Model No	L	ØD		ØK		n-Ød		H close	H <sub>1</sub> open
IN	mm	FRH (F/G/X)	mm	PN16	ANSI	PN16	ANSI	PN16	ANSI	mm	mm
2	50	FRHF-0050	178	165	152	125	121	4-Ø19	4-Ø19	312	382
2 1/2	65	FRHF-0065	190	185	178	145	140	4-Ø19	4-Ø19	338	408
3	80	FRHF-0080	203	200	191	160	152	8-Ø19	4-Ø19	393	480
4	100	FRHF-0100	229	220	229	180	191	8-Ø19	8-Ø19	441	544
5	125	FRHF-0125	254	250	--	210	--	8-Ø19	8-Ø23	559	692
6	150	FRHF-0150	267	285	279	240	241	8-Ø23	8-Ø23	598	759
8	200	FRHF-0200	292	340	343	295	298	12-Ø23	8-Ø23	743	953
10	250	FRHF-0250	330	400	406	355	362	12-Ø28	12-Ø26	880	1140
12	300	FRHF-0300	356	455	483	410	432	12-Ø28	12-Ø26	1009	1319

Distributor:



Tel: 86512 6673 2918 | Fax: 86512 6673 2928

E-mail: [exsales@alpinefc.com.cn](mailto:exsales@alpinefc.com.cn)

site: [www.alpinefc.com.cn](http://www.alpinefc.com.cn)

Alpine Flow Control (Suzhou) Co.,Ltd

Add: B5ChaoYangFactory, Caohu Industrial Park,

Xiangcheng Economic Development Zone,

Suzhou, Jiangsu Province, China, ZIP: 215131



F R H F-0100-A1-XXX

Model:

F: Fire Fighting Gate Valve WP 300 psi  
 L: Fire Fighting Gate Valve WP 250 psi

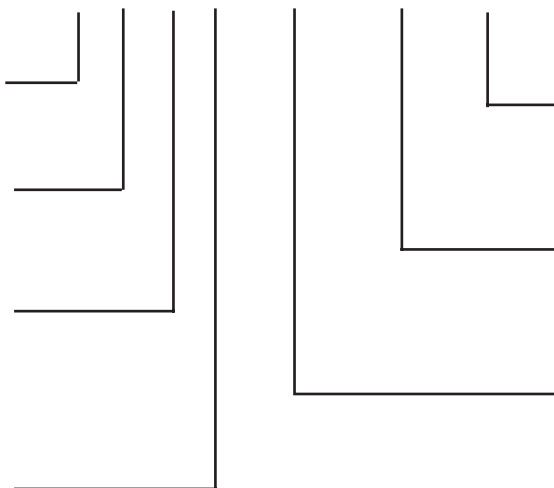
N: Non Rising Stem Gate Valve  
 R: Rising Stem Gate Valve

Operator:

H: Handwheel  
 C: Cap  
 B: Bare  
 E: Electrical/Bare

Connection Type:

F: Flanged End Connection;  
 G: Grooved End Connection  
 X: Flanged--Grooved End Connection

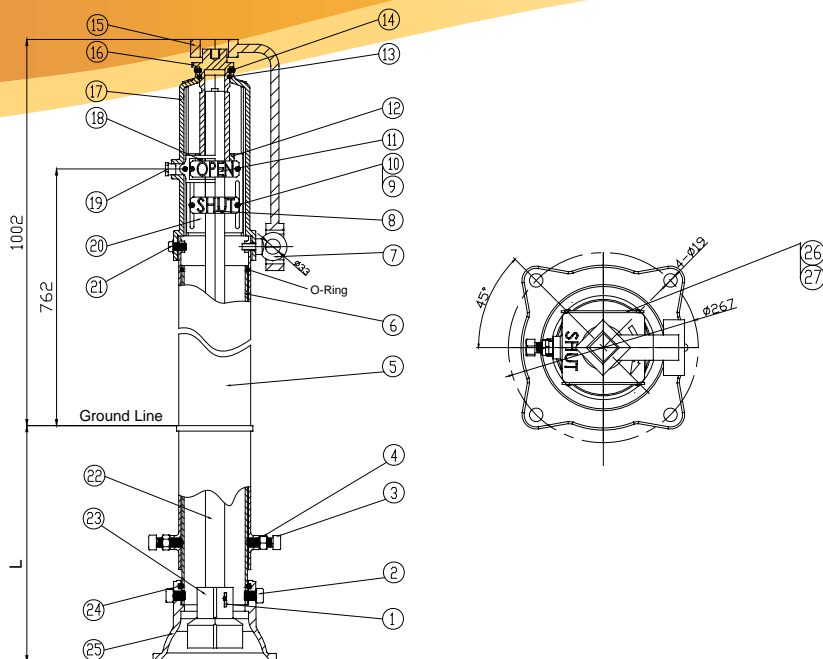


Special Code:  
 Please consult factory

End Connection:  
 A1: ANSI 125 F/F  
 A5: ANSI 150 R/F

Valve Size:  
 0100: 4"  
 0200: 8"

# VIPX-Vertical Indicator Post



## Part List:

No	Part Name	Material
1	Cotter Pin	Carbon Steel
2	In Hex Bolt	Carbon Steel
3	In Hex Bolt	Carbon Steel
4	Hex Nut	Carbon Steel
5	Telescoping Pipe	Carbon Steel
6	Lower Pipe	Carbon Steel
7	Eye Bolt	Carbon Steel
8	Target "SHUT"	Cast Aluminum
9	Screw	Carbon Steel
10	Hex Nut	Carbon Steel
11	Target "OPEN"	Cast Aluminum
12	Stem Nut	Brass
13	O-Ring	Rubber EPDM
14	Setscrews	Carbon Steel
15	Wrench	Ductile Iron
16	Operating Stem	Brass
17	Post Cap	Ductile Iron
18	Screw	Carbon Steel 1035 Zinc
19	Screw Plug	Malleable Iron
20	Carrier Plate	Steel A283GRC Zinc
21	In Hex Bolt	Carbon Steel 1045
22	Extension Rod	Carbon Steel 1045
23	Connection Cap	Ductile Iron
24	O-Ring	Rubber EPDM
25	Bottom Flange	Ductile Iron
26	Ferrule	Steel A283GRC Zinc
27	Window Glass	PMMA Window+EPDM

## Dimension:

DN mm	Model No.	L mm
80	VIPX-XXXX-1	505-1090
80	VIPX-XXXX-2	1065-1660
80	VIPX-XXXX-3	1626-2210
100	VIPX-XXXX-1	505-1090
100	VIPX-XXXX-2	1065-1660
100	VIPX-XXXX-3	1626-2210
150	VIPX-XXXX-1	505-1090
150	VIPX-XXXX-2	1065-1660
150	VIPX-XXXX-3	1626-2210
200	VIPX-XXXX-1	505-1090
200	VIPX-XXXX-2	1065-1660
200	VIPX-XXXX-3	1626-2210
250	VIPX-XXXX-1	505-1090
250	VIPX-XXXX-2	1065-1660
250	VIPX-XXXX-3	1626-2210
300	VIPX-XXXX-1	505-1090
300	VIPX-XXXX-2	1065-1660
300	VIPX-XXXX-3	1626-2210

Distributor:



Tel: 8651266732918 | Fax: 8651266732928

E-mail: exsales@alpinefc.com.cn

site: www.alpinefc.com.cn

Alpine Flow Control (Suzhou) Co.,Ltd

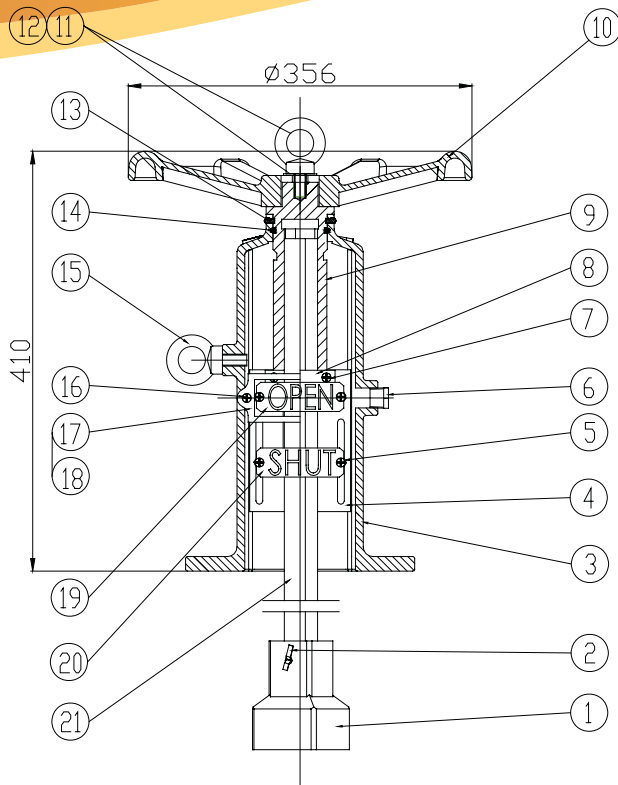
Add: B5ChaoYangFactory, Caohu Industrial Park,

Xiangcheng Economic Development Zone,

Suzhou, Jiangsu Province, China, ZIP: 215131



# WIPX-Wall Mounted Indicator Post



## Part List:

No	Part Name	Material
1	Connection Cap	Ductile Iron
2	Cotter Pin	Carbon Steel
3	Cross Wall Post Body	Ductile Iron
4	Carrier Plate	Carbon Steel
5	Hex Nut	Carbon Steel
6	Plug	Malleable Iron
7	Screw	Carbon Steel
8	Stem Nut	Brass
9	Operating Stem	Brass
10	Handle Wheel	Ductile Iron
11	Eye Bolt	Carbon Steel
12	Washer	Carbon Steel
13	Setscrews	Carbon Steel
14	O-ring	Rubber
15	Eye Bolt	Carbon Steel
16	Screw	Carbon Steel
17	Ferrule	Steel A283GRC Zinc
18	Window Glass	PMMA Window+EPDM
19	Target "OPEN"	Cast Aluminium
20	Target "SHUT"	Cast Aluminium
21	Extension Rod	Carbon Steel

Distributor:



Tel: 86512 6673 2918 | Fax: 86512 6673 2928

E-mail: [exsales@alpinefc.com.cn](mailto:exsales@alpinefc.com.cn)

site: [www.alpinefc.com.cn](http://www.alpinefc.com.cn)

Alpine Flow Control (Suzhou) Co.,Ltd

Add: B5ChaoYangFactory, Caohu Industrial Park,

Xiangcheng Economic Development Zone,

Suzhou, Jiangsu Province, China, ZIP: 215131

