

KARX-Combination Kinetic Air Release Valve

KARX- Combination kinetic air release valve provide 3 functions: 1.Large air release during filling of the pipeline. 2.Small air release under pressurized pipeline. 3.Large air intake during draining of the pipeline.

Features:

- . Advanced design with simple mechanism, strong float to prevent cracking during sudden water hammer& quick closure.
- . Aerokinetic mechanism to resist blow shut under higher air velocity even up to sonic velocity of air.
- . No arms or levers to prevent vibrating, bending, direct closure of the float.
- . Smooth cage outside of the float, keep float moving in specified guide rail.
- . Bottom rubber buffer for collision prevention, and drain easy with proper holes around the cage during vacuum.
- . Outside screen will be an option for safety and prevent insects or birds in.
- . Fully fusion epoxy coated inside and outside of valve body for long term services.
- . Manufacturing standard meets BS EN 1074-4, AWWA C512
- . Flange drilling and dimension meets BS EN 1092 and BS EN 558 and ANSI flange.



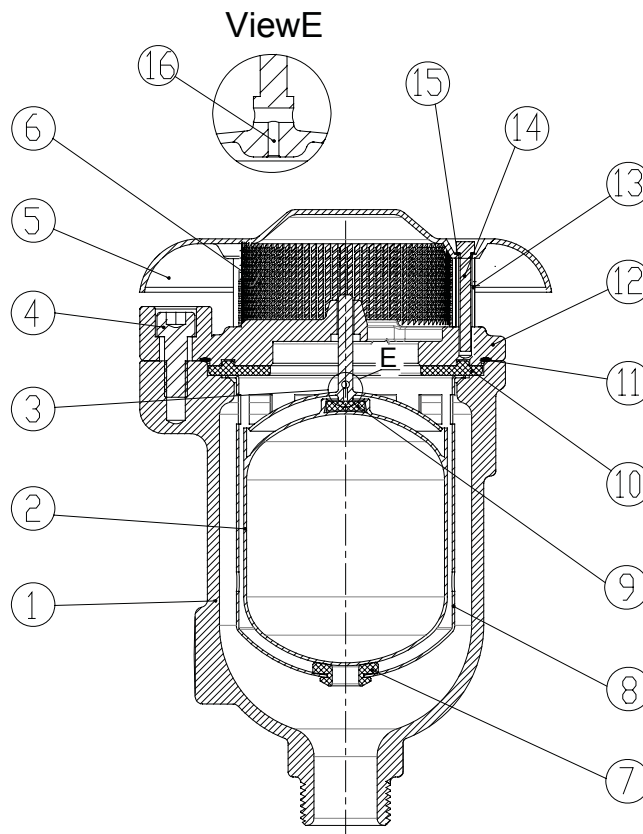
Service Fields:

For water system, fire fighting, irrigation system.

Technical Data:

Size range:DN 25-300MM
Pressure ratings:1.0Mpa, 1.6Mpa(Thread)
1.0Mpa,1.6Mp,2.5 Mpa(Flange)
Working temperature: -10°-80°C.
Flow media: clean water

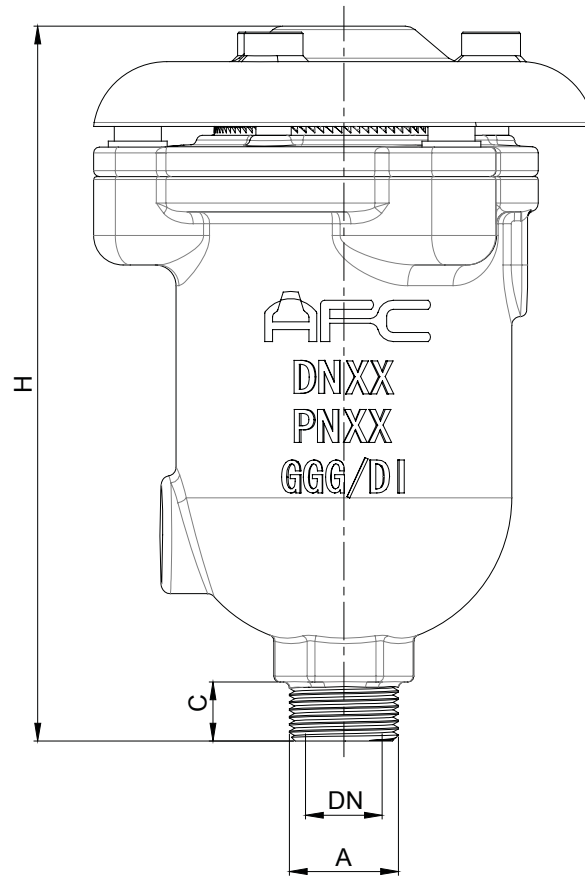
Main Valve-DN25-DN50



Parts List

No.	Part Name	Material	Standard
1	Body	Ductile Iron	EN GJS 500-7
2	Float	Stainless Steel	AISI 304
3	Sealing Arc	Stainless Steel	AISI 304
4	Hex Bolt	Carbon Steel/ Stainless Steel	Zinc Coated/AISI 304
5	Cover	Carbon Steel	Epoxy Coated
6	Screen	Stainless Steel	AISI 304
7	Buffer	Rubber	NBR/EPDM
8	Guide Barrel	Stainless Steel	AISI 304
9	Nozzle Seat	Rubber	NBR/EPDM
10	Seat	Rubber	NBR/EPDM
11	O-ring	Rubber	NBR/EPDM
12	Bonnet	Ductile Iron	EN GJS 500-7
13	Pillar	Aluminium	Commercial
14	Hex Bolt	Carbon Steel/ Stainless Steel	Zinc Coated/AISI 304
15	Washer	Stainless Steel	AISI 304
16	Small Nozzle	Stainless Steel	AISI 304

Dimension



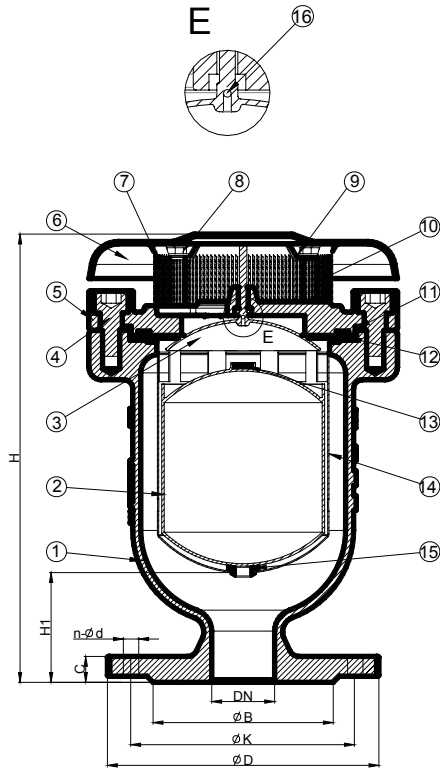
Unit: MM

DN	Model No.	ØA	C	H
25	KARS-0025-BP	G1"	20	243
32	KARS-0032-BP	G1 1/4"	20	243
40	KARS-0040-BP	G1 1/2"	20	243
50	KARS-0050-BP	G2"	20	243

Remarks: BP-- British Pipe Thread.

Max. WP PN16

Main Valve-DN50-DN300



Parts List

No.	Part Name	Material	Standard
1	Body	Ductile Iron	EN GJS 500-7
2	Float	Stainless Steel	AISI 304
3	Sealing Arc	Stainless Steel	AISI 304
4	In Hex Bolt	Carbon Steen/ Stainless Steel	G. I/ AISI 304
5	Bonnet	Ductile Iron	EN GJS 500-7
6	Cover	Carbon Steel	AISI 304
7	Screen	Stainless Steel	AISI 304
8	Hex Bolt	Carbon Steen/ Stainless Steel	G. I/ AISI 304
9	Washer	Stainless Steel	AISI 304
*10	Pillar	Aluminum	Commercial
11	O-ring	Rubber	NBR/EPDM
12	Seat	Rubber	NBR/EPDM
13	Nozzle Seat	Rubber	NBR/EPDM
14	Guide Barrel	Stainless Steel	AISI 304
15	Buffer	Rubber	NBR/EPDM
16	Small Nozzle	Stainless Steel	AISI 304

*: For Size ≤DN150.

Dimension

DN	Model No.	ØB			ØD			ØK			H	N-Ød		
		PN10	PN16	PN25	PN10	PN16	PN25	PN10	PN16	PN25		PN10	PN16	PN25
50	KARX-0050	99	99	99	165	165	165	125	125	125	280	4-Ø19	4-Ø19	4-Ø19
80	KARX-0080	132	132	132	200	200	200	160	160	160	362	8-Ø19	8-Ø19	8-Ø19
100	KARX-0100	156	156	156	220	220	235	180	180	190	395	8-Ø19	8-Ø19	8-Ø23
150	KARX-0150	211	211	211	285	285	300	240	240	250	485	8-Ø23	8-Ø23	8-Ø28
200	KARX-0200	266	266	274	340	340	360	295	295	310	582	8-Ø23	12-Ø23	12-Ø28
300	KARX-0300	370	370	389	445	460	485	400	410	430	750	12-Ø23	12-Ø28	16-Ø31

Distributor:

AFC®

Tel: 8651266732918 | Fax: 8651266732928

E-mail: exsales@alpinefc.com.cn

site: www.alpinefc.com.cn

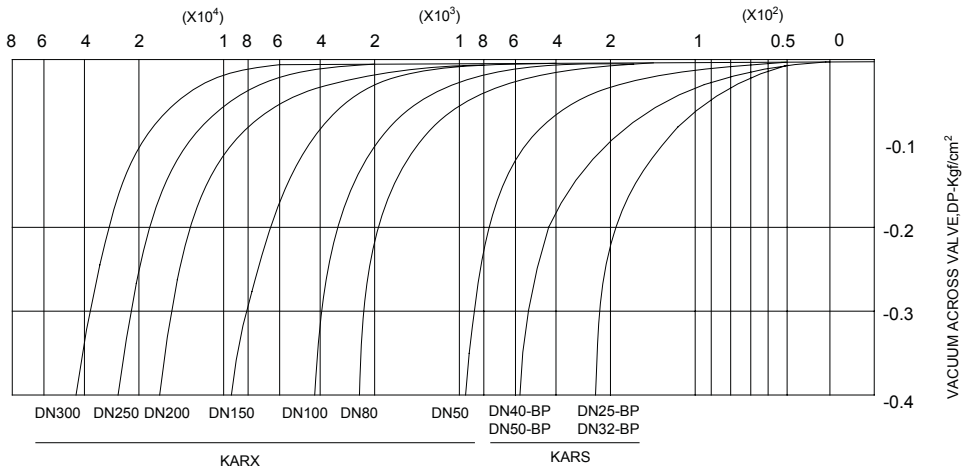
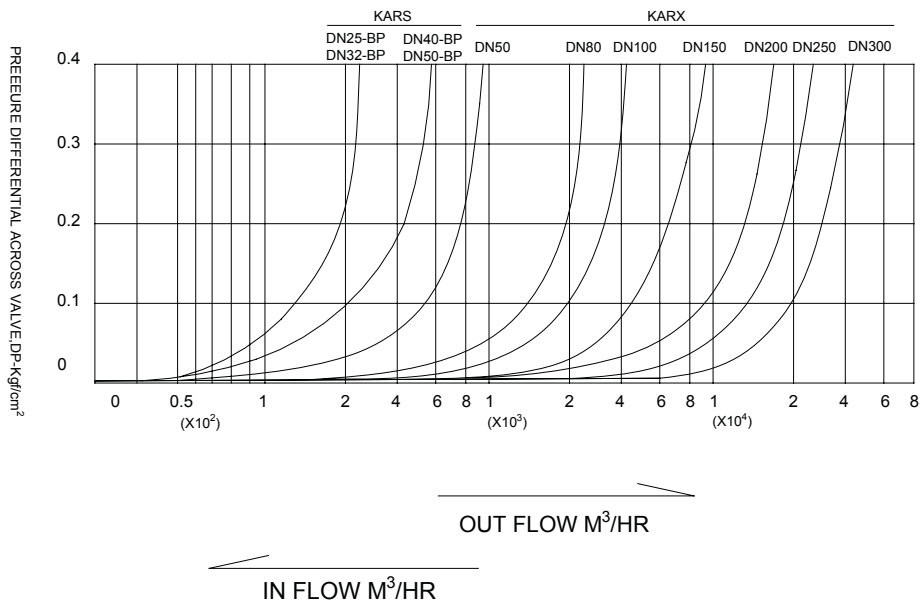
Alpine Flow Control (Suzhou) Co.,Ltd

Add: B5ChaoYangFactory, Caohu Industrial Park,

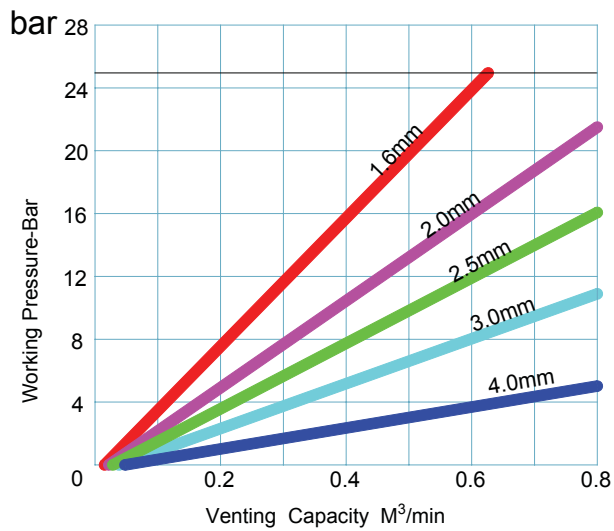
Xiangcheng Economic Development Zone,

Suzhou, Jiangsu Province, China, ZIP: 215131





Air release during working conditions



KARX-Quick Selection Table

Water flow rate range Max.CMH (M ³ /Hour)	760	1,360	4,160	8,500	19,100	33,400	76,300
Main pipe size MM	80-300	200-400	400-700	750-1000	1050-1500	1500-2000	2100-3000
Inlet size of KARX MM	25*/32*/ 40*/50*	50	80	100	150	200	300
bore of outlet MM	50	75	95	130	170	230	330
small orifice size MM	1.6	1.6	2	2.5	3	4	4

*These are pipe thread Combination Air Release Valve-KARS, which can be up to Max. WP PN16 .

Those flange type from DN 50-300 can be up to Max. WP PN 25.

Ordering Code

