

## ARVS-Single Air Release Valve

**A**RVS-Single air release valve is commonly installed in the peak of the pipeline, and used for exhausting the compressed air in pipeline system, generally there will be about 2% of dissolved air in water and it will release as bubbles and thru the air release valve nozzle. It can prevent the existence of bubble gap for flow, this can help a better efficiency for transmission of flow.

### Features:

- High grade ductile iron body, reduce the weight and much longer life than cast iron.
- Simple mechanism with lever and float.
- The float and internal mechanism are made of AISI 304 stainless steel and last for much longer life cycles.
- Epoxy coating for both inside and outside.
- Male connection can easily be connected to isolated valves, no need further nipples..
- End connection can be BSPT or NPT thread.



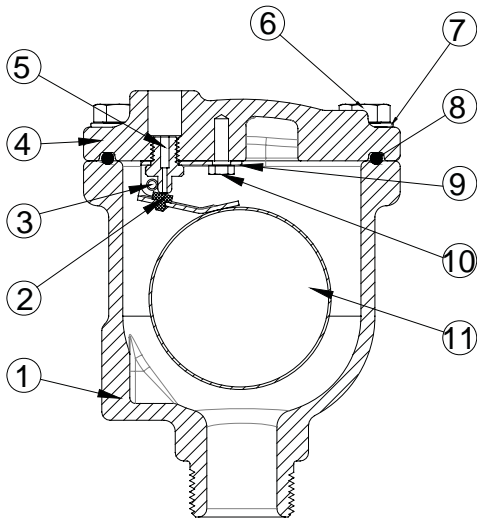
### Service Fields:

For clean water system.

### Technical Data:

Size range; DN 15- DN 25mm  
Ratings : 1.0Mpa; 1.6Mpa  
Working temp. : -10 °C - 80 °C.  
Flow Media : Clean water  
Connection : PN10, PN16, BSPT  
and NPT male.

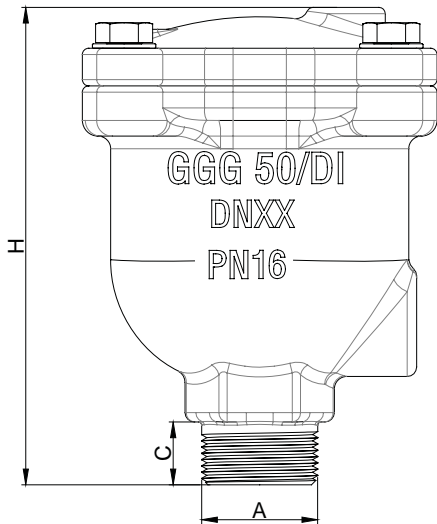
## Main Valve



### Parts List

No.	Part Name	Material	Standard
1	Body	Ductile Iron	EN GJS 500-7
2	Seat	Rubber	EPDM
3	Pin	Stainless Steel	AISI 304
4	Bonnet	Ductile Iron	EN GJS 500-7
5	Small Nozzle	Stainless Steel	AISI 304
6	Hex Bolt	Stainless Steel	AISI 304
7	Washer	Stainless Steel	AISI 304
8	O-ring	Rubber	NBR
9	Support Plate	Stainless Steel	AISI 304
10	Hex Bolt	Stainless Steel	AISI 304
11	Float	Stainless Steel	AISI 304

### Dimension



DN	Model No.	A	C	H
15	ARVS-0015-BP	G 1/2	20	152
20	ARVS-0020-BP	G 3/4"	20	152
25	ARVS-0025-BP	G 1 "	20	152

Remarks: BP-- British Pipe Thread.

### Flow Performance-Venting Capacity

### Air release during working conditions

