

PENX - Stainless Steel / Penstock

Stainless steel penstocks are widely used for water works, sewage treatment plant and some industrial application, to shut off or regulate the water flow.

Features:

- Standard 5m on/off seating Water. Column.
- Door rail made of POM/PET for full size range and easy to open/close the penstock.
- Linearity flow characteristics can be used for throttling and regulating applications.
- Wall mounting, easy installation.
- Various of operation: handwheel, gear box, electrical actuator or pneumatic cylinder.



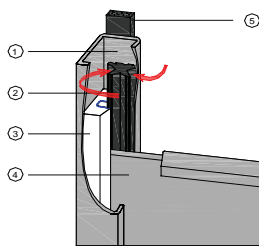
Field service:

Water Works, Sewage Treatment Plant, Channel.

Technical Data:

Size: 200X200~1200X1200mm
Working Head: Std 5m On/off Seating W.C
Media: Water, Waste Water
Remarks:
Bigger Sizes are Available Upon Request.

Four Sides Sealing in Bi-directional

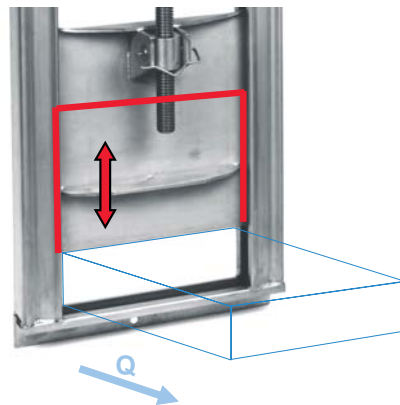


- ①: Frame ②: Rubber Seal
- ③: POM Gilder ④: Gate ⑤: Wall Rubber

The rectangle rubber seal designed, on the surface of the frame, which ensures sealing on four sides. The rubber seal has a special hackle shape on both sides, which provides reliable sealing performance.

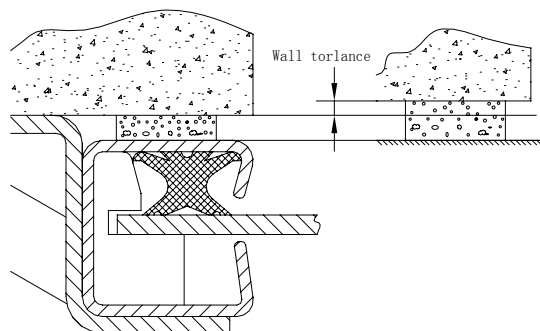
Ideal Flow Characteristics

When opening penstock, there're always 3 sides are sealed by the rubber, which ensures linearity flow characteristics, suitable for throttling and regulating service.



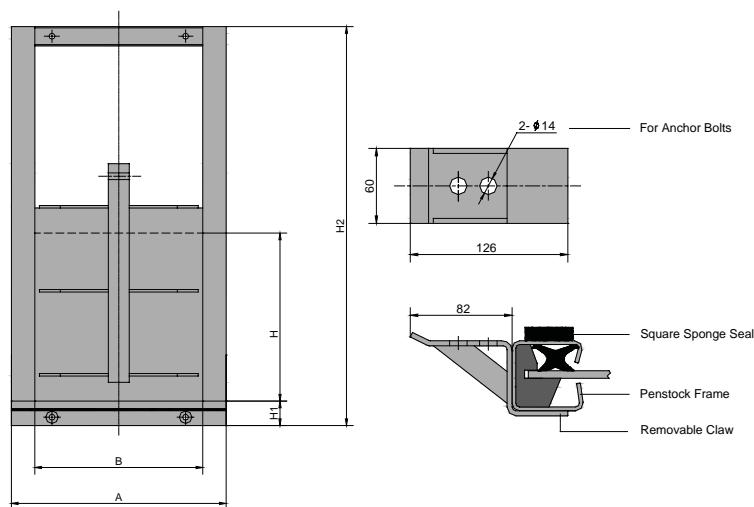
Easy Installation

PENX Series Penstock can be wall mounted or channel mounted. we use removable claws, anchor and sponge seal for installation, they can be easily installed at inlets or outlets of pits or basins. Sponge rubber seal are good for grouting in recess of the structure.



Overall Dimension

Penstock Size BXH	A	H1	H2
200X200	297	56	530
250X250	347	56	630
300X300	397	56	730
350X350	476	56	855
400X400	526	58.5	955
500X500	626	58.5	1155
600X600	726	63.5	1360
700X700	826	68.5	1565
800X800	926	68.5	1765
900X900	1034	68.5	1965
1000X1000	1134	68.5	2165
1200X1200	1334	68.5	2565



Distributor:



Tel: 86512 6673 2918 | Fax: 86512 6673 2928

E-mail: exsales@alpinefc.com.cn

site: www.alpinefc.com.cn

Alpine Flow Control (Suzhou) Co.,Ltd
 Add: B5ChaoYangFactory, Caohu Industrial Park,
 Xiangcheng Economic Development Zone,
 Suzhou, Jiangsu Province, China, ZIP: 215131

