

WSTX Y-Strainer

WSTX-Y Strainer is used for screen out the debris and rubbish, it is installed at outlet of pump or inlet of control valves of important equipment in order to protect the pipeline system, equipment and facility from clogging, keep the pipeline system in a safe, clean and efficient operation environment.

Features:

- Advanced new design with diamond shaped screen for better flow coefficient and much lower head loss.
- Enforcement concaved bonnet design gets more stronger top cover.
- Specially reinforced steel bar ribs on the screen outside surface which gets more rigid and resistance of being destroyed or flushed out during operation.
- A hanging hook is designed on the top edge for easy handling and installation.
- Different gasket material for both water system and industry system services.
- Option:
 1. Round bore holes perforation on the screen.
 2. Dual boss on top of strainer which can be used for installation of pressure gauge kits, this can help site checking of the system.
 3. Fine mesh (20-40); Mesh can be provided upon request.
- Powder epoxy coated body for water system, and liquid coating for industry services.



Services Field:

- General clean water supply, HVAC, fire fighting, irrigation, cooling and industrial system.

Technical Date:

Size Range: DN50- 600mm

Pressure Ratings: 1.0Mpa; 1.6Mpa; 2.5Mpa

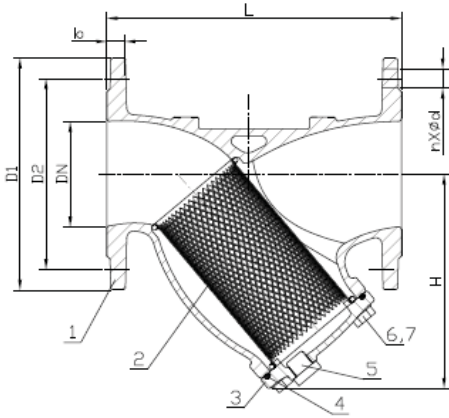
Temperature: -10°C-80°C (NBR);

-20°C-250°C (PTFE)

Flow media: Clean water, Oil, Steam

End Connections: PN10; PN16; ANSI 125/150,
JIS 10K

Main Valve



Parts List & Material

No.	Name	Material	Standard
1	Body	Ductile Iron/* Carbon Steel	EN GJS 500-7/Commercial
2	Screen	Stainless Steel	AISI 304
3	Bonnet	Ductile Iron/* Carbon Steel	EN GJS 500-7/Commercial
4	O-Ring	Rubber/Plastic	NBR/ EPDM / PTFE
5	Plug	Carbon Steel	Commercial
6	Bolt	Carbon Steel	Commercial
7	Washer	Carbon Steel	Commercial

Connections Comply with PN10, PN16, JIS 10K, ANSI 125/150LB

Pressure Rating: 1.0Mpa; 1.6Mpa; 2.5Mpa

Working Temp: -10°C-80°C/NBR, -20°C-250°C/PTFE

Epoxy Coating body for corrosion resistance

Test:

Hydraulic test to BS/ISO/GB

Seat: 1.1 X PN

Body: 1.5 X PN

Dimension:

Unit: mm

DN	Model No	L	H	D1	D2		b	n- Ød	
					PN10	PN16		PN10	PN16
50	WSTX-0050	210	138	165	125	19	4-Ø19		
65	WSTX-0065	225	164	185	145	19	4-Ø19		
80	WSTX-0080	240	180	200	160	19	8-Ø19		
100	WSTX-0100	280	204	220	180	19	8-Ø19		
125	WSTX-0125	345	268	250	210	19	8-Ø23		
150	WSTX-0150	395	332	285	240	19	8-Ø23		
200	WSTX-0200	500	396	340	295	20	8-Ø23	12-Ø23	
250	WSTX-0250	542	450	405	350	355	22	12-Ø23	12-Ø28
300	WSTX-0300	650	525	460	400	410	24.5	12-Ø23	12-Ø28
350	WSTX-0350	860	605	520	460	470	26.5	16-Ø23	16-Ø28
☼400	WSTX-0400	860	605	580	515	525	28	16-Ø28	16-Ø31
*450	WSTX-0450	1050	800	640	565	585	30	20-Ø28	20-Ø31
*500	WSTX-0500	1160	880	715	620	650	31.5	20-Ø28	20-Ø34
*600	WSTX-0600	1400	1055	840	725	770	36	20-Ø31	20-Ø37

* Means valve body is made of welded steel.

☼DN 400 uses a reduced port as DN 350.

Distributor:

AFC®

Tel: 8651266732918 | Fax: 8651266732928

E-mail: exsales@alpinefc.com.cn

site: www.alpinefc.com.cn

Alpine Flow Control (Suzhou) Co.,Ltd

Add: B5ChaoYangFactory, Caohu Industrial Park,

Xiangcheng Economic Development Zone,

Suzhou, Jiangsu Province, China, ZIP: 215131



Ordering Code

WST X - 0150-16

Model:

WST: Y Strainer for water with powder epoxy coating.

IST: Y Strainer for industrial with liquid painting.

Screen Type:

X: Standard type with diamond shape screen-7 Mesh

R: Round bore shape screen (perforation)-6 Mesh

D: Dual screen with fine (20-40) mesh as inner screen

End Connection / Ratings:

10: PN10 1K: JIS 10K

16: PN16 A1: ANSI 125/150LB

25: PN25

Valve Size:

0080: 80 mm

0150: 150 mm

Distributor:

AFC®

Tel: 86512 6673 2918 | Fax: 86512 6673 2928

E-mail: exsales@alpinefc.com.cn

site: www.alpinefc.com.cn

Alpine Flow Control (Suzhou) Co.,Ltd

Add: B5ChaoYangFactory, Caohu Industrial Park,

Xiangcheng Economic Development Zone,

Suzhou, Jiangsu Province, China, ZIP: 215131

