

# WSTX Y-Strainer-ANSI

**W**STX-Y Strainer is used for screen out the debris and rubbish, it is installed at outlet of pump or inlet of control valves of important equipment in order to protect the pipeline system, equipment and facility from clogging, keep the pipeline system in a safe, clean and efficient operation environment.

## Features:

- Advanced new design with diamond shaped screen for better flow coefficient and much lower head loss.
- Enforcement concaved bonnet design gets more stronger top cover.
- Specially reinforced steel bar ribs on the screen outside surface which gets more rigid and resistance of being destroyed or flushed out during operation.
- A hanging hook is designed on the top edge for easy handling and installation.
- Different gasket material for both water system and industry system services.
- Option:
  1. Round bore holes perforation on the screen.
  2. Dual boss on top of strainer which can be used for installation of pressure gauge kits, this can help site checking of the system.
  3. Fine mesh (20-40); Mesh can be provided upon request.
- Powder epoxy coated body for water system, and liquid coating for industry services.



## Services Field:

- General clean water supply, HVAC, fire fighting, irrigation, cooling and industrial system.

## Technical Date:

Size Range: 2"-12"

Pressure Ratings: 200PSI.

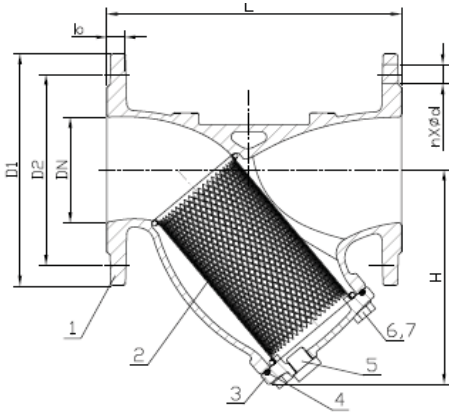
Temperature: -10°C-80°C (NBR);

-20°C-250°C (PTFE)

Flow media: Clean water, Oil, Steam

End Connections: ANSI B 16.1.

## Main Valve



## Parts List & Material

No.	Name	Material	Standard
1	Body	Ductile Iron	ASTM A536
2	Screen	Stainless Steel	AISI 304
3	Bonnet	Ductile Iron	ASTM A536
4	O-Ring	Rubber/Plastic	NBR / PTFE
5	Plug	CS	Commercial
6	Bolt	CS	Commercial
7	Washer	CS	Commercial

## Dimension

Unit: Inch

DN	Model No	L	H	D1	D2 CL 125/150	b	n CL 125/150	Ød CL 125/150
2"	WSTX-0050	8 1/2	5 1/2	6	4 3/4	19	4	3/4
2 1/2"	WSTX-0065	9	6 1/2	7	5 1/2	22	4	3/4
3"	WSTX-0080	9 1/2	7	7 1/2	6	24	4	3/4
4"	WSTX-0100	11	8	9	7 1/2	24	8	3/4
5"	WSTX-0125	13 1/2	10 1/2	10	8 1/2	24	8	7/8
6"	WSTX-0150	15 1/2	13	11	9 1/2	26	8	7/8
8"	WSTX-0200	19 3/4	15 1/2	13 1/2	11 3/4	29	8	7/8
10"	WSTX-0250	21 1/2	17 3/4	16	14 1/4	30	12	1
12"	WSTX-0300	25 1/2	20 3/4	19	17	32	12	1

## Ordering Code

WST X - 0150 - A1

Model:

WST: Y Strainer for water with powder epoxy coating.

IST: Y Strainer for industrial with liquid painting.

Screen Type:

X: Standard type with diamond shape screen-7 Mesh

R: Round bore shape screen (perforation)-6 Mesh

D: Dual screen with fine (20-40) mesh as inner screen

End Connection / Ratings:

A1: ANSI 125 F/F  
A5: ANSI 150 R/F

Valve Size:

0080: 3"  
0150: 6"

Distributor:

**AFC**®

Tel: 8651266732918 | Fax: 8651266732928

E-mail: [exsales@alpinefc.com.cn](mailto:exsales@alpinefc.com.cn)

site: [www.alpinefc.com.cn](http://www.alpinefc.com.cn)

Alpine Flow Control (Suzhou) Co.,Ltd

Add: B5ChaoYangFactory, Caohu Industrial Park,

Xiangcheng Economic Development Zone,

Suzhou, Jiangsu Province, China, ZIP: 215131

